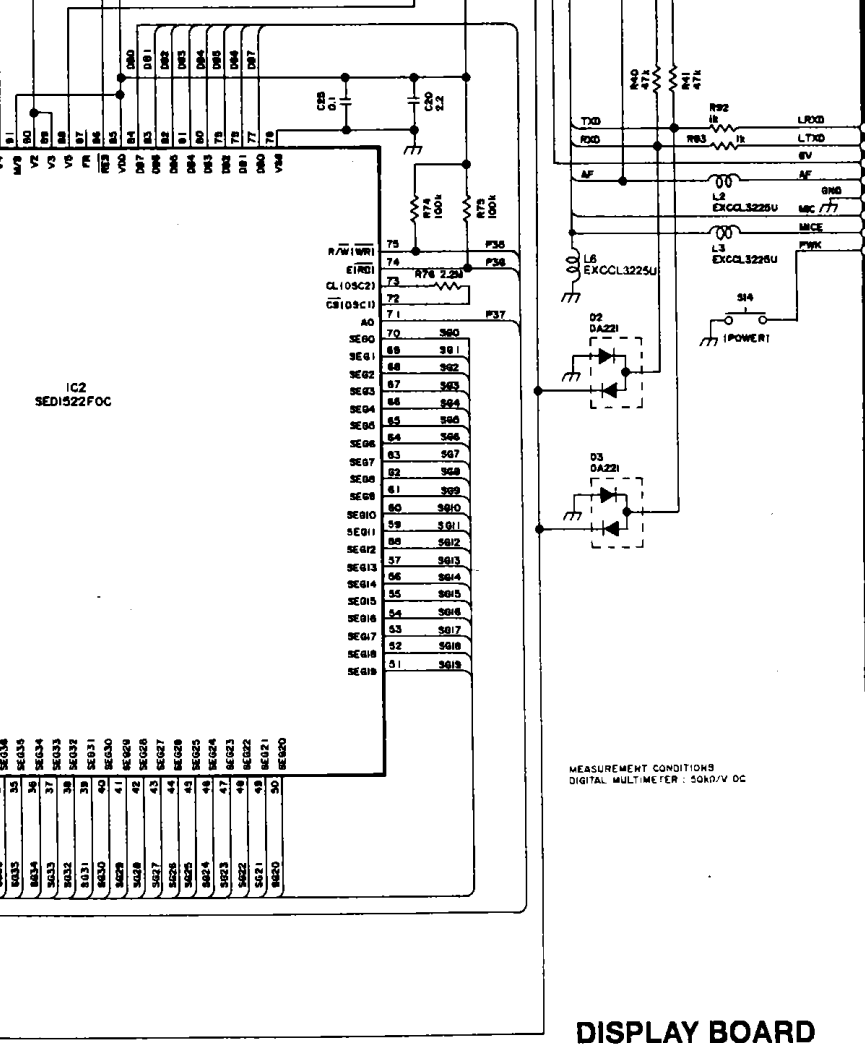
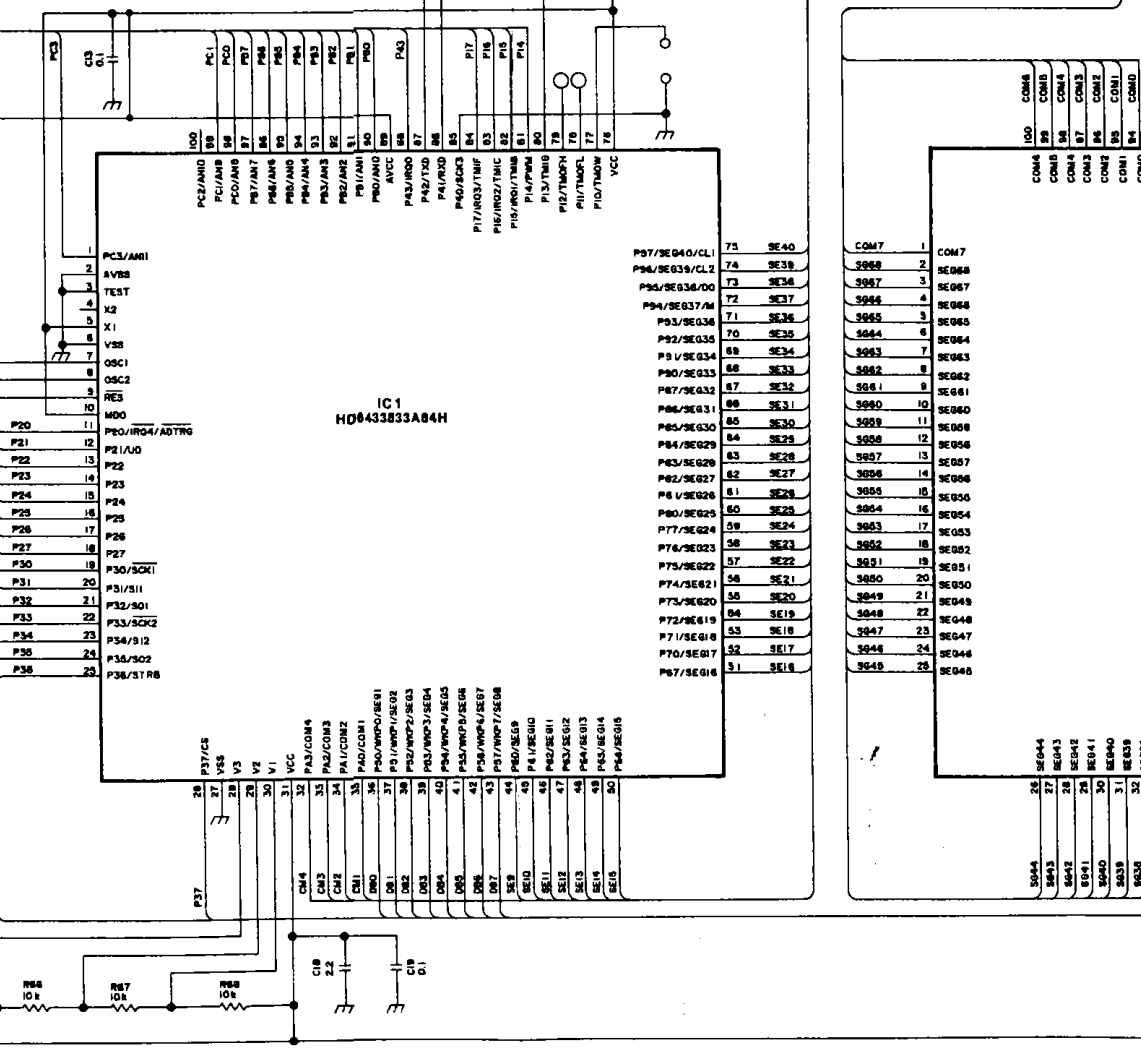
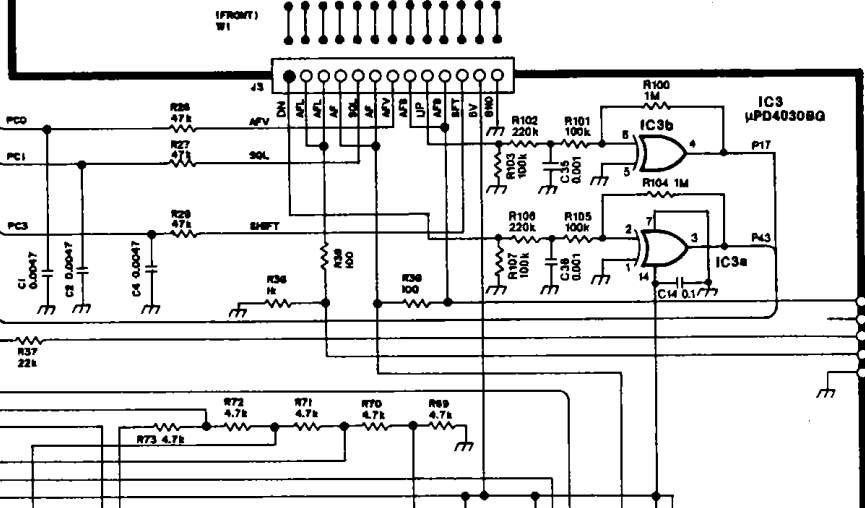
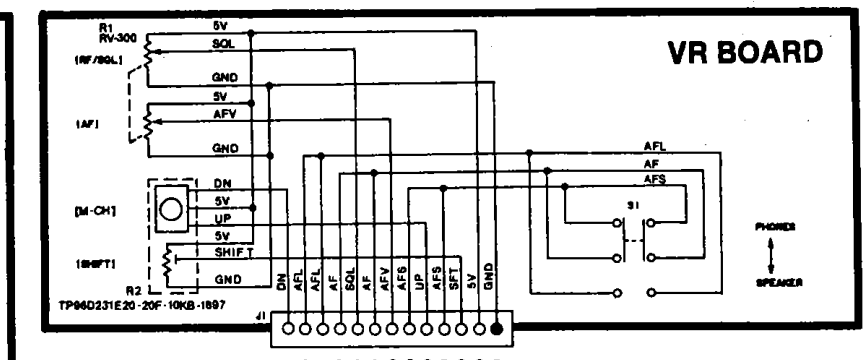
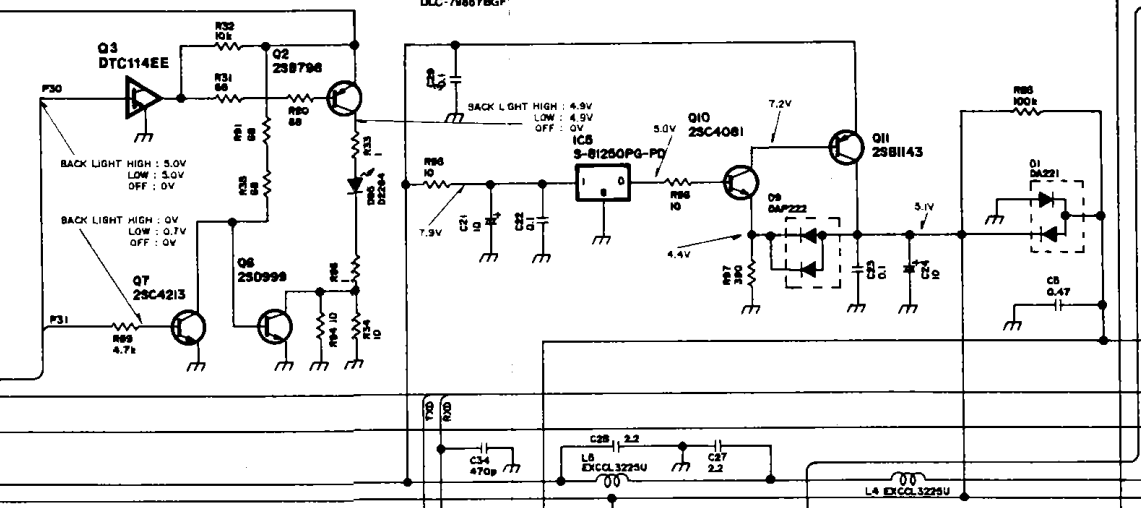
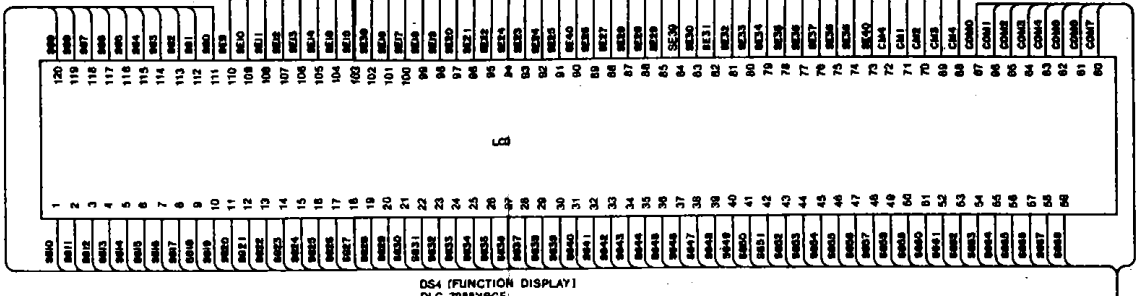


FRONT UNIT

VR BOARD

DISPLAY BOARD



MEASUREMENT CONDITIONS
DIGITAL MULTIMETER : 500K/V DC